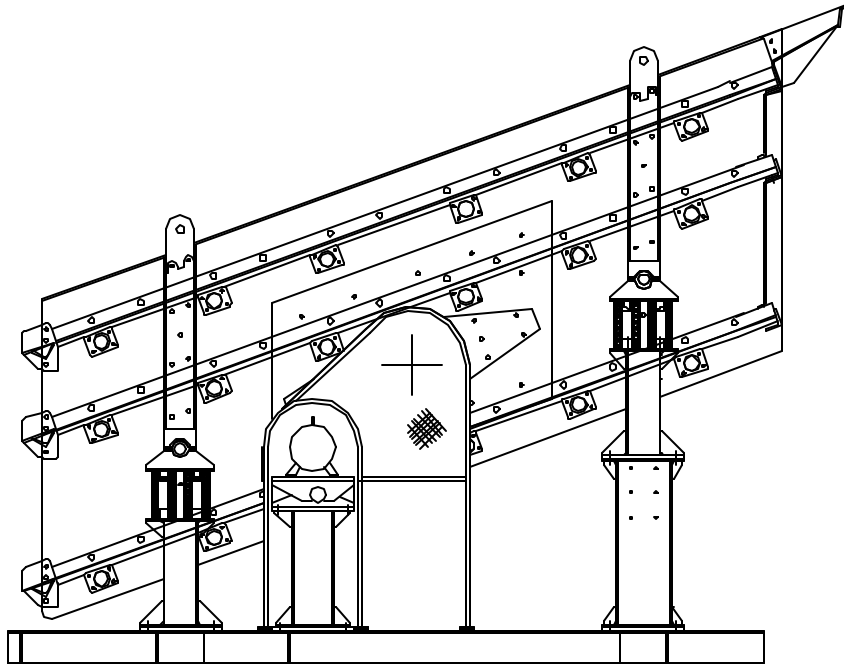




Huck Bolted Inclined Screens



Applications

Hard Rock

Sand and Gravel

Recycling

Wet Screening

Mineral Processing

Chemical Production

Models/Sizes

4' x 10' Two and Three Deck

5' x 14' Two and Three Deck

5' x 16' Two and Three Deck

6' x 16' Two and Three Deck

6' x 20' Three Deck

Other Considerations

One year warranty

Exceptional Quality

Off-the-shelf parts

Nationwide distribution

Low Price Guarantee

Trio's line of bolted inclined screens are designed and manufactured to satisfy the extreme operating duties found in applications throughout the world. These heavy duty units use modern designed, huck-bolted frames to provide long and trouble free operating lives.

The line includes standard sizes from 4' x 10' units to large 6' x 20' units. From big to small, all models are built to meet the needs of today's demanding producers. The units use grease lubrication systems. The vibrating mechanism is comprised of heavy duty eccentric shafts and rotating within large, oversize spherical bearings.

The result is a line of screening products that will compete in performance and durability with any comparable products available in the market.

Standard Features

- Huck bolted steel frame
- Heavy duty screen decks
- Tubular cross members
- Pivoting motor base
- Screen cloth retention hardware
- Eccentric weighted drive
- Grease lubrication system
- Heavy duty spring supports

Michigan Aggregate Machinery

P.O. Box 838, Northville, Michigan, 48167

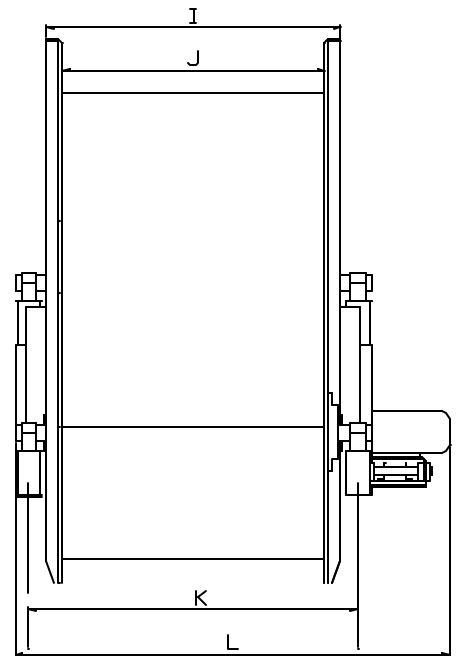
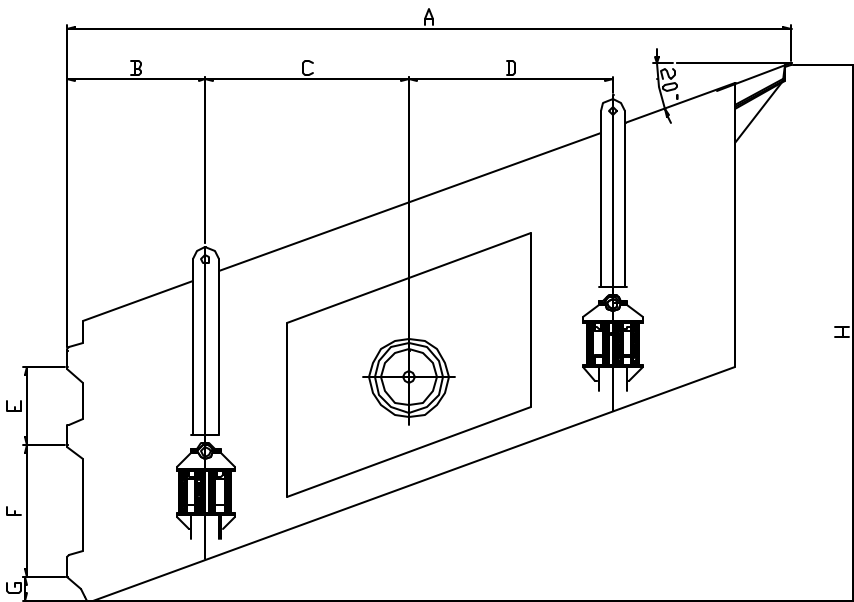
Tel: 248-349-8887 Fax: 248-349-6091

Website: www.michagg.com Email: sales@michagg.com



Huck Bolted Inclined Screens

Size	Power	Side Plates	Standard Decking	Bearing Size (mm)	Maximum Material Size	Operating Speed (rpm)	Amplitude	Approximate Weight (lbs)
4 x 10' x 3 Decks	10	3/8"	C-C-F	100	10"	800	3/8"	6,250
5' x 14' x 2 Decks	15	3/8"	C-F	130	12"	800	3/8"	9,900
5' x 14' x 3 Decks	15	3/8"	C-C-F	130	12"	800	3/8"	10,500
5' x 16' x 2 Decks	15	3/8"	C-F	130	12"	800	3/8"	11,000
5' x 16' x 3 Decks	15	3/8"	C-C-F	130	16"	800	3/8"	12,760
6' x 16' x 2 Decks	20	1/2"	C-F	140	16"	800	3/8"	15,400
6' x 16' x 3 Decks	20	1/2"	C-C-F	140	16"	800	3/8"	17,160
6' x 20' x 3 Decks	25	1/2"	C-C-F	140	16"	800	3/8"	18,000



Size	A	B	C	D	E	F	G	H	I	J	K	L
4 x 10' x 3 Deck	11'-0"	1'-11"	3'-3"	3'-3"	1'-9"	2'-6"	5"	9'-0"	4'-9"	4'-0"	5'-6"	7'-4"
5' x 14' x 2 Deck	14'-2"	1'-11"	5'-1"	5'-1"	3'-3"	-	5"	9'-8"	5'-5"	4'-11"	6'-3"	8'-7"
5' x 14' x 3 Deck	call	call	call	call	call	call	call	call	call	call	call	call
5' x 16' x 2 Deck	call	call	call	call	call	call	call	call	call	call	call	call
5' x 16' x 3 Deck	16'-5"	3'-2"	4'-7"	4'-7"	1'-9"	3'-0"	7"	12'-2"	5'-7"	4'-11"	6'-5"	8'-8"
6' x 16' x 2 Deck	call	call	call	call	call	call	call	call	call	call	call	call
6' x 16' x 3 Deck	16'-5"	3'-2"	4'-7"	4'-7"	1'-9"	3'-0"	7"	12'-2"	6'-7"	5'-11"	7'-5"	9'-8"
6' x 20' x 3 Deck	20'-1"	3'-8"	5'-10"	5'-10"	1'-6"	3'-3"	4"	13'-6"	6'-7"	5'-11"	7'-5"	9'-9"